

File Name: carrier 40mvc manual.pdf

Size: 4811 KB

Type: PDF, ePub, eBook

Category: Book

Uploaded: 9 May 2019, 17:24 PM

Rating: 4.6/5 from 776 votes.

Status: AVAILABLE

Last checked: 14 Minutes ago!

In order to read or download carrier 40mvc manual ebook, you need to create a FREE account.

[**Download Now!**](#)

eBook includes PDF, ePub and Kindle version

[Register a free 1 month Trial Account.](#)

[Download as many books as you like \(Personal use\)](#)

[Cancel the membership at any time if not satisfied.](#)

[Join Over 80000 Happy Readers](#)

Book Descriptions:

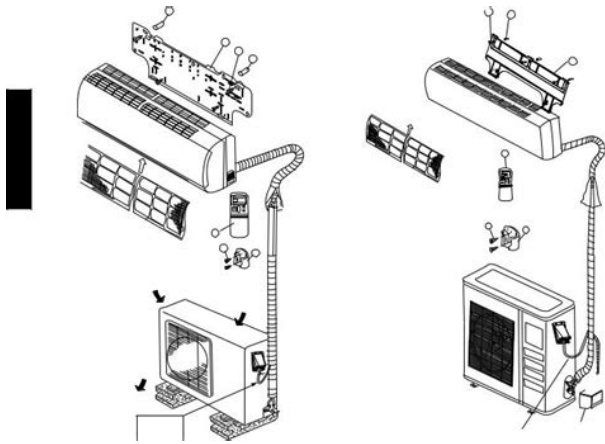
We have made it easy for you to find a PDF Ebooks without any digging. And by having access to our ebooks online or by storing it on your computer, you have convenient answers with carrier 40mvc manual . To get started finding carrier 40mvc manual , you are right to find our website which has a comprehensive collection of manuals listed.

Our library is the biggest of these that have literally hundreds of thousands of different products represented.



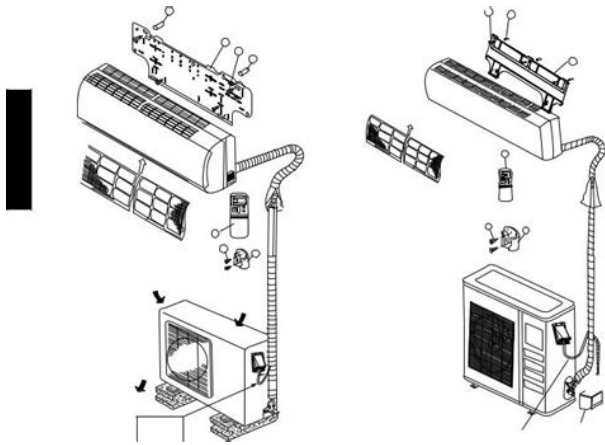
Book Descriptions:

carrier 40mvc manual

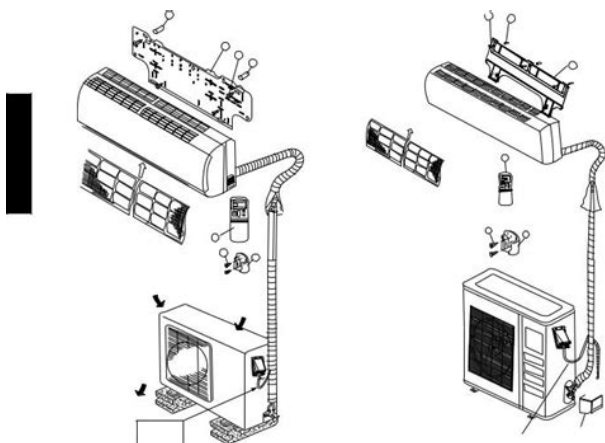


The MVC model air conditioners singlestage rotary compressor attains 13 SEER cooling so you can enjoy comfort within your budget. Its three fan speeds, dehumidification mode setting and oscillating louver give you plenty of comfort choices. Plus you get the convenience of a wireless remote. For other applications a 1year parts and 5year compressor limited warranties apply. See warranty certificate for details. Plus you get the convenience of a wireless remote. Otherwise, parts warranty is 5 years. For other applications a 7year parts and 7year compressor limited warranties apply. See warranty certificate for details. Consult a qualified installer, service agency, or your distributor or branch for information or assistance. The qualified installer or agency must use factory authorized kits or accessories when modifying this product. Refer to the individual instructions packaged with the kits or accessories when installing. Follow all safety codes. Wear safety glasses, protective clothing, and work gloves. Use appropriate cloth for brazing operations. Have fire extinguisher available. Read the instructions thoroughly and follow all warnings or cautions included in literature and attached to the unit. Consult local building codes and National Electrical Code NEC for special requirements. Recognize safety information. This is the safety alert symbol!! When you see this symbol on the unit and in instructions or manuals, be alert to the potential for personal injury. Understand the signal words DANGER, WARNING, and CAUTION. These words are used with the safety alert symbol. DANGER identifies the most serious hazards which will result in severe personal injury or death. WARNING signifies hazards which could result in personal injury or death. <http://gayaarchi.com/userfiles/20200928140019.xml>

- **carrier 40mvc manual, carrier 40mvc manual, carrier 40mvc manual download, carrier 40mvc manual free, carrier 40mvc manual online, carrier 40mvc manual 2017, carrier 40mvc manual 2016, carrier 40mvc manual instructions, carrier 40mvc manual downloads, carrier 40mvc manual transmission.**



CAUTION is used to identify unsafe practices which may result in minor personal injury or product and property damage. NOTE is used to highlight suggestions which will result in enhanced installation, reliability, or operation. ! WARNING ELECTRICAL SHOCK HAZARD Failure to follow this warning could result in personal injury or death. Before installing, modifying, or servicing system, main electrical disconnect switch must be in the OFF position. There may be more than 1 disconnect switch. Lock out and tag switch with a suitable warning label. INTRODUCTION Section 1 of this Service Manual provides the necessary information to service, repair, and maintain the EEZ family of Pura air conditioners and heat pumps. Section 2 of this manual is an appendix with data required to perform troubleshooting. Use the Table of Contents to locate a desired topic. Please check your inbox, and if you can't find it, check your spam folder to make sure it didn't end up there. Please also check your spam folder. Please read this Owner's Information Manual carefully before installing and using this appliance and keep this manual for future reference. This information, along with the installation data and dealer contact information, will be helpful should your system require maintenance or service. There are three levels of precaution The qualified installer or service agency must use factory authorized kits or accessories when modifying this product. If technical assistance, service or repair is needed, contact the installer or call 18002277437. If the remote is misplaced, the system can be operated from the "Auto" setting on the unit. S Fan only This mode does not take the place of a dehumidifier. The control has a window display panel that shows the current system status. The control can be secured to a surface when used with the mounting bracket provided. <http://presentkompaniet.com/img/content/eberspacher-dl1c-manual.xml>



Indoor Temperature. Page 99 WIRING The main power is supplied to the outdoor unit. The field supplied connecting cable from the outdoor unit to indoor unit consists of four wires and provides the power for the indoor unit as well as the communication signal between the

outdoor unit and indoor unit. All charges, line sizing, and capacities are based on runs of 25 ft 7.6 m. For runs over 25 ft 7.6 m. Page 19 19 SYSTEM EVACUATION AND CHARGING UNIT DAMAGE HAZARD Failure to follow this caution may result in equipment damage or impairment. Page 22 22 MODES OF OPERATION The units have 5 main operating modes 1. Fan Only 2. Cooling 3. Heating heat pumps only 4. Auto 5. Dehumidification Dry The units have 2 other modes manual operation that are operated in unique situations 1. Page 23 23 Auto Fan When the fan speed is set to Auto, the fan will run at either the medium or low speed based on the difference between the room temperature and the set point temperature as shown below Room temp. Lower humidity is achieved when the microprocessor adjusts the indoor fan speed and compressor cycling by comparing the room temperature T and the set point temperature TS. Page 25 25 TROUBLESHOOTING This section provides the required flow charts to troubleshoot problems that may arise. NOTE Information required in the diagnoses can be found either on the wiring diagram or in the appendix. Page 26 26 CHARACTER 1 INDOOR FAN SPEED OUT OF CONTROL Reset main power and restart system using remote. Problem persists Replace indoor fan motor No further action is required No Yes Check IFM output and input on indoor board. Values good Yes Check motor connection. Page 27 27 CHARACTER 2 TEMPERATURE SENSOR Reset main power and restart system using remote.

Problem persists Appendix 6 No further action is required No Yes Check input and output on indoor or outdoor board. Yes Check sensor connector at ID or OD board Connection good. No Fix connection Yes No Replace board Check sensor resistance. Corrosion, or high resistance Outdoor fan Ok. Connect gauges to unit. Page 29 29 CHARACTER 4 INDOOR UNIT COMMUNICATION ERROR SIZE 9K AND 12K Reset main power and restart system using remote. Pressure ok Check compressor Normal suction, high head. Non condensables in sys. Pump down and recharge unit High head, high suction. Unit is overcharged. Unit runs Reset remote and restart the unit. Is unit running Problem solved Check batteries. Is unit running Yes Problem solved Is the re power to outdoor unit. Yes Check fuse on outdoor board. Page 33 33 CHARACTER 8 UNIT NOT RUNNING OPTIMALLY Suction and head equal. Outdoor coil clean Clean coil. Problem persists Indoor filter clean. Clean filter. Problem persists Check indoor fan motor Connect gauges to unit. Page 35 35 CHARACTER 10 COMPRESSOR Check contactor output on outdoor board if not done already. Trace connections from OD board. Connections ok Check compressor windings. Page 36 36 CHARACTER 11 OUTDOOR MOTOR Trace connections from OD board. Connections ok Motor ok. Fix connection No Yes Yes No Replace capacitors Yes No Replace motor Check capacitor. Capacitor ok Check motor windings. Ok Visually confirm that fan blades and outdoor coil are not blocked. Page 37 37 CHARACTER 12 REVERSING VALVE Check RV connection on outdoor board. Ok Clean or repair the connection No Yes Yes Check RV output on outdoor board. Ok No Replace outdoor board Replace reversing valve. Yes Check RV solenoid. Ok Replace solenoid No Check RV connection on outdoor board. Catalog No.38 40MV 1SM Replaces New Printed in U.S. We should do this for several simple reasons First of all view first pages of the manual, you can find above.



<https://labroclub.ru/blog/bose-ipod-docking-station-manual>

You should find there the most important technical data Carrier 40MVC thus you can check whether the hardware meets your expectations. When delving into next pages of the user manual, Carrier 40MVC you will learn all the available features of the product, as well as information on its operation. The information that you get Carrier 40MVC will certainly help you make a decision on the purchase. You will learn then if you properly used the available features, and whether you have not made any mistakes, which can shorten the lifetime Carrier 40MVC. Almost always you will find there Troubleshooting, which are the most frequently occurring failures and malfunctions of the device Carrier 40MVC along with tips on how to solve them. Consult a qualified installer, service agency, or your distributor or branch for information or assistance. The qualified installer or agency must use factoryauthorized kits or accessories when modifying this product. Refer to the individual instructions packaged with the kits or accessories when installing. Follow all safety codes. Wear safety glasses, protective clothing, and work gloves. Use quenching cloth for brazing operations. Have fire extinguisher available. Read these instructions thoroughly and follow all warnings or cautions included in literature and attached to the unit. Consult local building codes and National Electrical Code NEC for special requirements. Recognize safety information. This is the safetyalert symbol !! When you see this symbol on the unit and in instructions or manuals, be alert to the potential for personal injury. Understand these signal words DANGER, WARNING, and CAUTION. These words are used with the safetyalert symbol. DANGER identifies the most serious hazards which will result in severe personal injury or death. WARNING signifies hazards which could result in personal injury or death. CAUTION is used to identify unsafe practices which may result in minor personal injury or product and property damage.

<http://hcberg.com/images/camco-dx12-service-manual.pdf>



50JS, JX018-060 Single-Package Heat Pump Units

Visit www.carrier.com

Installation, Start-Up and Service Instructions

NOTE: Read the entire instruction manual before starting the installation.

Index	
SAFETY CONSIDERATIONS	1-4
General	4
RECEIVING AND INSTALLATION	4-15
Check Equipment	4-5
Inspect Shipment	4
Identify Unit	4
Provide Unit Support	5
Roof Curb	5
Slab Mount	5
Ground Mount	5
Provide Clearances	5
Rig and Place Unit	5-6
Select and Install Ductwork	6-8
Converting Horizontal Discharge Units to Downflow (Vertical) Discharge	6
Provide for Condensate Disposal	6-8
Install Electrical Connections	8
High-Voltage Connections	8
Routing Power Leads Into Unit	8-14
Connecting Ground Lead to Ground Lug	14
Special Procedures for 208-V Operation	15
PRE-START-UP	15
START-UP	15-20
Check for Refrigerant Leaks	15
Unit Start-Up Adjustment	15-20
MAINTENANCE	20-23
SYSTEM INFORMATION	23
Time Delay Relay	23
Pressure Switches	23
Defrost Thermostat	23
TROUBLESHOOTING	24-25
START-UP CHECKLIST	25

NOTE TO INSTALLER — READ THESE INSTRUCTIONS CAREFULLY AND COMPLETELY before installing this unit. Also, make sure the Owner's Manual and Service Instructions are left with the unit after installation.

SAFETY CONSIDERATIONS

Installation and servicing of air-conditioning equipment can be hazardous due to system pressure and electrical components. Only trained and qualified personnel should install, repair, or service air-conditioning equipment.

Untrained personnel can perform basic maintenance functions of cleaning coils and filters. All other operations should be performed by trained service personnel. When working on air-conditioning equipment, observe precautions in the literature, tags and labels attached to the unit, and other safety precautions that may apply. Follow all safety codes. Wear safety glasses and work gloves. Use quenching cloth for unbrazing operations. Have fire extinguisher available for all brazing operations.

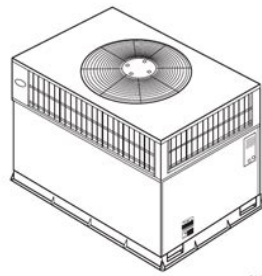


Fig. 1—Model 50JS/JX

C99001

WARNING

Improper installation, adjustment, alteration, service, maintenance, or use can cause explosion, fire, electric shock, or other occurrences, which could cause serious injury or death or damage your property. Consult a qualified installer or service agency for information or assistance. The qualified installer or agency must use only factory-authorized kits or accessories when modifying this product.

Recognize safety information. This is the safety-alert symbol. When you see this symbol on the product or in instructions or manuals, be alert to the potential for personal injury.

Understand the signal words — DANGER, WARNING, CAUTION, and NOTE. Danger identifies the most serious hazards, which will result in severe personal injury or death. Warning indicates a condition that could cause serious personal injury or death. Caution is used to identify unsafe practices, which would result in minor personal injury or product and property damage. NOTE is used to highlight suggestions which will result in enhanced installation, reliability or operation.

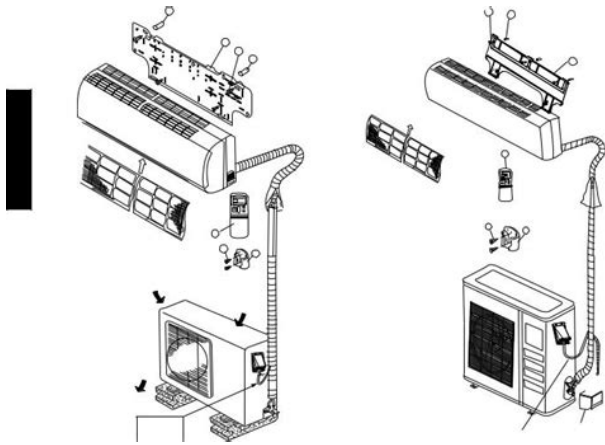
1. The power supply (volts, phase, and hertz) must correspond to that specified on unit rating plate.
2. The electrical supply provided by the utility must be sufficient to handle load imposed by this unit.
3. This installation must conform with local building codes and with NEC (National Electrical Code). Refer to provincial and local plumbing or waste water codes and other applicable local codes.

Manufacturer reserves the right to discontinue, or change at any time, specifications or designs without notice and without incurring obligations.

Book 1 4 PC 101 Catalog No. 565-057 Printed in U.S.A. Form 50JS, JX-15i Pg 1 5-00 Replaces: 50JX-25i
F09 15/05

NOTE is used to highlight suggestions which will result in enhanced installation, reliability, or operation. ! WARNING Before installing, modifying, or servicing system, main electrical disconnect switch must be in the OFF position. There may be more than 1 disconnect switch. Lock out and tag switch with a suitable warning label. INTRODUCTION Section 1 of this Service Manual provides the necessary information to service, repair, and maintain the EEZ family of Puron air conditioners and heat pumps. Section 2 of this manual is an appendix with data required to perform troubleshooting. Use the Table of Contents to locate a desired topic. Next Ease Of Installation INDOOR UNITS Comfort Features Page 4 SPECIFICATIONS COOLING ONLY UNITS Page 5 SPECIFICATIONS HEAT PUMP UNITS The main power is supplied to the outdoor unit. The field supplied connecting cable from the outdoor unit to. CHARGING pulling a vacuum. Page 20 CONTROL SYSTEM The indoor coil can freeze due to any of the following High. Page 22 MODES OF OPERATION Sleep Mode When the fan speed is set to Auto, the fan will run at either the Defrost on. Page 24 Dry Dehumidification Mode Forced Auto Emergency Operation Page 25 TROUBLESHOOTING. This section provides the required flow charts to troubleshoot problems that may arise. NOTE Information required in the diagnoses. Page 26 CHART 1 INDOOR FAN SPEED OUT OF CONTROL Page 30 CHART 5 OUTDOOR UNIT PROTECTS. Sizes 009 to 024. Installation Instructions NOTE Read the entire instruction manual before starting the No. Part. No. Mounting Plate. Mounting Screw ST3.9x25 C H. Anchor. Remote Control. Remote Control Holder. Mounting Screw B ST2.0x10 C H Qty. Mounting Plate. Mounting Screw A ST3.9x25 C H. Anchor. Remote Control. Remote Control Holder. Mounting Screw B ST2.0x10 C H Remote Control Mounting screw B Air Inlet. Air Inlet. Air outlet. Loop the Loop the connecting Remove the water receiver first A07334a. A07335a. Parts List. Parts List.

<http://heidelberg-schloss.com/images/camco-11673-manual.pdf>



Note This will ensure that rain will drip from the connection pipe before it enters the wall. Different models may be slightly different. Only trained, qualified installers and service mechanics should perform basic maintenance functions such as cleaning, filter replacement, and thermostat calibration. Untrained personnel can perform basic maintenance functions such as cleaning, filter replacement, and thermostat calibration. When working on the equipment, observe precautions in the following sections. Follow all safety codes. Wear safety glasses and work gloves. Keep the work area clean. Read these instructions thoroughly and follow all warnings or cautions. Recognize safety information. This is the. These instructions cover the installation, startup and servicing of the indoor unit. Allow sufficient space for airflow and servicing unit. See Fig. 3 Piping. IMPORTANT Both refrigerant lines must be insulated. S Minimum refrigerant line length between the indoor and outdoor units. The following maximum lengths are allowed. Unit Size Before installing, modifying, or servicing system, main power and tag switch with a suitable warning label. Unit Size Refrigerant Charge Max Elevation. Max Elevation. Max Line Length Unit Size. REFRIGERANT CHARGE lb. kg. Air Conditioner S For piping runs greater than 25 ft. 7.6 m, add 0.1 oz. of refrigerant. S Capillary tubes in outdoor unit are used as metering devices. Connecting Power and Control Cable. S The main power is supplied to the outdoor unit. The field wiring for 9K and 12K units, all four wires are low voltage DC. For 18K and 24K, two wires are high voltage AC power, one is ground. S Consult local building codes, NEC National Electrical Code or CEC Canadian Electrical Code for special requirements. Do not bury more than 36 in. 914 mm of refrigerant pipe. This causes Model Size. Power Source S Connecting Cable Voltage drop on the connecting cable Do not use thermostat wire. Use CAUTION. These words are used with the safety alert symbol. DANGER identifies the most serious hazards which will result in personal injury or death. WARNING signifies hazards which could result in personal injury or property damage. CAUTION is used to highlight hazards which could result in minor personal injury or property damage. NOTE is used to highlight important information. Cooling Only Heat Pumps Service Valve Locations Indoor Unit. S A location where there are no obstacles near inlet and outlet area.

S A location which can bear the weight of indoor unit. S Do not install indoor units near a direct source of heat such as a furnace, boiler, or radiator. S A location which provides appropriate clearances as outlined in. Fig. 3. Outdoor Unit. S A location which is convenient to installation and not exposed to direct sunlight. Contact your Duct. Free Split representative for drawings. S A location which can bear the weight of outdoor unit and where the outdoor unit will be installed. S A location which provides appropriate clearances as outlined in. Fig. 4. S Do not install the indoor or outdoor units in a location with a window or door directly above or below the unit. For those applications, contact your Duct. Free Split representative for drawings. The refrigerant lines may be routed in any of the four directions. For maximum serviceability, it is recommended to have refrigerant piping going through the back of the indoor unit. The mounting plate will look like one of the following depending on the location. Min. Mounting Plate. Indoor unit outline. Left rear side hole. Diameter Fig. 5 Mounting Plate Model size 009. Mounting Plate. If piping is going through the right or left side of the indoor unit. Rear left pipe holder. Pipe cover. Left back piping. Fig. 6 Mounting Plate Model size 012. Right piping. Hooked Part. Hooked Part Only. Mounting Plate Fig. 9 Piping Locations. Pipe hole. Indoor unit outline. Pipe hole. Consult the Installation. Instruction for the low ambient kit for further information. If the installation location may be exposed to strong wind, use a strong support. Use of other types of tubing. Do not open service valves or remove protective caps from tubing. Bend tubing with bending tools to avoid kinks and flat spots. Keep the tubing free of dirt, sand, moisture, and other debris. Avoid sags in the suction line to prevent the formation of oil traps. Remove service connection. Excessive torque

can break flare nut depending on Outdoor. Be sure to comply with local codes while running wires. Every wire must be connected firmly. Loose wiring may be a fire hazard.

<http://www.eflox.net/wp-content/plugins/formcraft/file-upload/server/content/files/16273bba90feef---british-pest-management-manual-download.pdf>

Therefore, be sure all wiring. No wire should be allowed to touch refrigerant tubing. Disconnecting means must be provided and shall be. Connecting cable with conduit shall be routed through Terminal Block. Over Conduit panel. The connections are sensitive to polarity. Fit interconnecting Mounting Plate, move indoor unit from side to side to see. Do not put the drain. Do not form a rise. NOTE For proper orientation of the refrigerant piping, electrical Indoor unit. Interconnecting. Wiring Tape. Drain Piping A07347a. Fig. 14 Indoor Unit Installation. Completely seal the hole in the wall. The drain line must not have a trap. Panel. NOTE For applications where gravity cannot be used for Consult the Manual. Control Box Cover. Terminal block of indoor unit Barrier between Control. Pulse DC between outdoor To Outdoor Unit. To outdoor unit. A07349a. Fig. 17 Control and Power Wiring on Indoor Unit Deep Vacuum Method. The deep vacuum method requires a vacuum pump capable of The deep vacuum method For refrigerant lines longer Indoor Unit. Refrigerant. Outdoor Unit The alternate Triple Evacuation Method. The triple evacuation method should only be used when vacuum Refer to Fig. 21 and proceed as follows During this time, dry nitrogen will be able to diffuse throughout Low side valve. Charge hose Final Tubing Check. IMPORTANT Check to be certain factory tubing on both indoor Ensure tubes are Perform test operation after completing gas leak and electrical NOTE A protection feature prevents air conditioner from being For this condition, manual operation must be NOTE For Heat Pumps, follow the same procedure. Do the display panel lights work properly Does the air deflection louver function properly Does the drain work Explain Following Items To Customer With The Aid Of The. Owner's Manual COOLING, HEATING and other operating modes; setting The outdoor However, it is useful in identifying LEDs on the display panel or the front of the unit.

If possible, The diagnostic codes for the indoor and outdoor units are listed in Lamp Failure Mode. Indoor fan speed has been out of control for over 1 minute. Indoor room temp. or evaporator sensor is open circuit or short circuited. Compressor over current protection has been activated four times. EEPROM error. Indoor unit communication error Operation. Lamp Timer. Lamp Lamp Lamp Failure Mode. Over current protection of the compressor occurs four times. Indoor room temp. sensor is open circuit or short circuited. Temp. sensor on indoor evaporator is open circuit or short circuited. Temp. sensor on outdoor condenser is open circuit or short circuited not cooling Outdoor unit protects outdoor temp. EEPROM error. Indoor unit communication error. For additional diagnostic information, refer to the Service Manual. Infrared signal receptor. Infrared signal receptor HP Model size 009. HP Model size 018 024. Note Cooling only units have same LED lights but without PREDEF print. Fig. 23 LED Display Panel Times after 2. Second Off Communication failure. Condenser temperature sensor failure. Other indoor failure. Diagnostic. Chart If there is a failure, the LED light will flash a specific Lamp Copyright 2012 Carrier Corporation S 7310 W. Morris St. S Indianapolis, IN 46231. Manufacturer reserves the right to change, at any time, specifications and designs without notice and without obligations. Replaces 38 40MV 6SI. Be sure to check that it is the user manual to exactly the device that you are looking for. In our database Carrier High Wall Duct Free Split System 40MVC it belongs to the category Air Conditioner. A user manual Carrier High Wall Duct Free Split System 40MVC is taken from the manufacturer, a Carrier company it is an official document, so if you have any doubts as to its contents, please contact the manufacturer of the device Carrier High Wall Duct Free Split System 40MVC directly.

You can view the user manual Carrier High Wall Duct Free Split System 40MVC directly online or save and store it on your computer. If you have any questions, you can ask them in the form below. Other users viewing this website will have the opportunity to help you solve your problem with

Carrier High Wall Duct Free Split System 40MVC. Remember that you can also share the solution. If you solved the problem yourself, please write the solution to the problem with Carrier High Wall Duct Free Split System 40MVC you will surely help many users by doing so. Ask a question our users can help you.

<http://eco-region31.ru/bose-ipod-docking-station-manual>