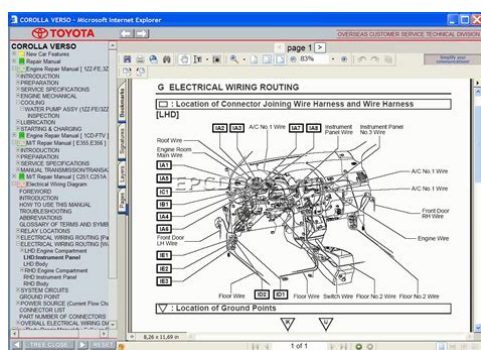


corolla verso repair manual pdf



File Name: corolla verso repair manual pdf.pdf

Size: 4057 KB

Type: PDF, ePub, eBook

Category: Book

Uploaded: 25 May 2019, 21:23 PM

Rating: 4.6/5 from 785 votes.

Status: AVAILABLE

Last checked: 13 Minutes ago!

In order to read or download corolla verso repair manual pdf ebook, you need to create a FREE account.

[**Download Now!**](#)

eBook includes PDF, ePub and Kindle version

[Register a free 1 month Trial Account.](#)

[Download as many books as you like \(Personal use\)](#)

[Cancel the membership at any time if not satisfied.](#)

[Join Over 80000 Happy Readers](#)

Book Descriptions:

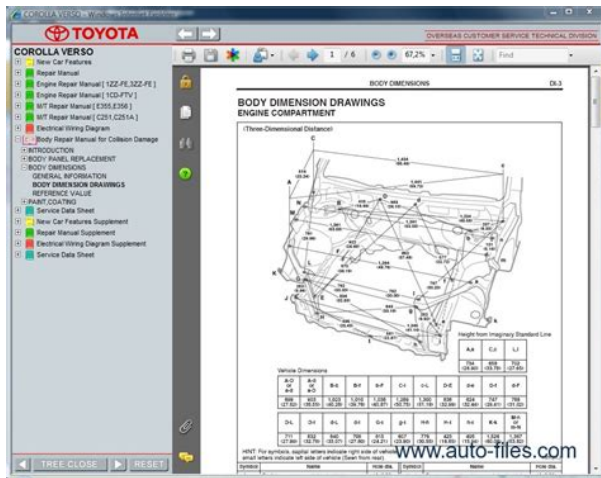
We have made it easy for you to find a PDF Ebooks without any digging. And by having access to our ebooks online or by storing it on your computer, you have convenient answers with corolla verso repair manual pdf . To get started finding corolla verso repair manual pdf , you are right to find our website which has a comprehensive collection of manuals listed.

Our library is the biggest of these that have literally hundreds of thousands of different products represented.



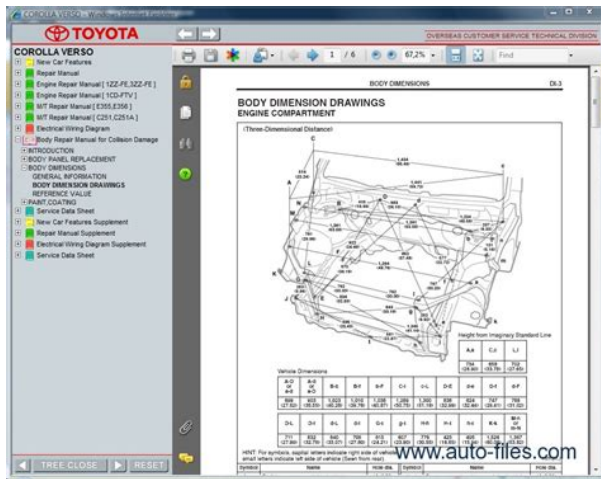
Book Descriptions:

corolla verso repair manual pdf

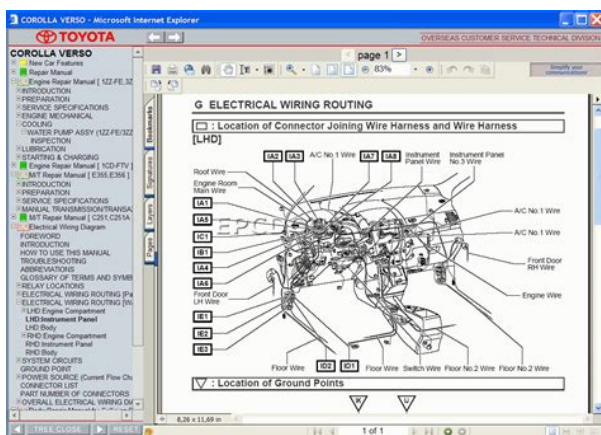


Model Name TOYOTA RAV4, COROLLA, COROLLA VERSO, MR2, AVENSIS, Carefully read through the relevant engine repair manual with regards to short. Toyota Corolla Verso. Some Books Bellow will provide you all related to toyota corolla verso repair manual. Toyota Corolla Verso 012004122006 Toyota Verso 01200712 Toyota Corolla Verso 012004122006 Toyota Verso 01200712 DU FR NL GB ES IT SE CZ DK FI GR NO PL. Bedienungsanleitung. Mode demploi. Gebruikershandleiding. User guide. Gua del usuario. Manuale di istruzioni. This PDF book provide 2004 corolla owners manual conduct. This PDF book include manual toyota corolla verso document. TOYOTA RAV4, COROLLA, COROLLA VERSO, AVENSIS TOYOTA RAV4, COROLLA, COROLLA VERSO, AVENSIS Before troubleshooting, conduct the following in accordance with the respective BASIC INSPECTIONS instructed each repair manual. a Check the fuel quality This PDF book contain toyota corollaverso repair manual conduct. To download free toyota rav4, corolla, corolla verso, avensis you need to register. Toyota Corolla Verso Toyota Corolla Verso Corolla Verso ei tee kompromisseja myskn ymprist ystvllisyyden tai innovatiivisen monitoimivaihteisto Multimode Manual Transmission MMT. This PDF book contain manual toyota corolla verso document. To download free toyota corolla verso you need to register. DVD Corolla Verso LHD Toyota DVD Corolla Verso LHD Toyota Manual Ref. no. AIM 000 0912. GB. D. Expert Fitment Required. Disconnect the battery earth cable. To avoid damage to the wiring harness, ensure. This PDF book incorporate manual toyota corollaverso information. To download free dvd corolla verso lhd toyota you need to register. Corolla Verso LHD Toyota Corolla Verso LHD Toyota Corolla Verso LHD. Toyota Parking Aid time 3.25 hours. Manual reference number AIM 000 3090. Install parts as shown on illustrations. Reconnect. This PDF book contain toyota corolla verso repair manual guide. To download free corolla verso lhd toyota you need to register. <http://globewheelers.com/userfiles/finepix-s4500-manual-pdf.xml>

- **corolla verso repair manual pdf, toyota verso owners manual pdf, toyota corolla verso repair manual pdf, toyota verso repair manual pdf, toyota verso service manual pdf, toyota corolla verso service manual pdf, toyota corolla verso owners manual pdf, toyota yaris verso repair manual pdf, toyota avensis verso repair manual pdf, toyota yaris verso service manual pdf, corolla verso repair manual pdf download, corolla verso repair manual pdf free, corolla verso repair manual pdf online, corolla verso repair manual pdf file.**



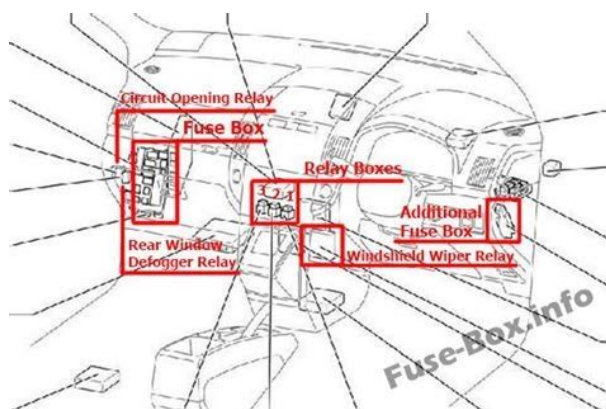
Corolla Verso 87Kb Toyota Corolla Verso 87 Kb Toyota Corolla Verso. Corolla VersoToyota Corolla Verso Toyota Corolla Verso. N1 Conversion kit TDK. Installation instructions. Part number PZ449E8F2100. Vehicle grade. This PDF book provide manual toyota corollaverso conduct. This PDF book incorporate corollarepair manual guide. To download free az2484 corolla verso drg rhd k3 toyota you need to register. To download free toyota corolla verso wess you need to register. TOYOTA MOTOR CORPORATION. Manual Ref. n AIM 000 0770. Corolla Verso RHD. INSTALLATION INSTRUCTIONS. FOR This PDF book contain manual toyotacorolla verso conduct. To download free corolla verso audio rhd toyota you need to register. TOYOTACOROLLA VERSO MOD.2004 BisAlarmes TOYOTA COROLLA VERSO MOD.2004 Bis Alarmes DIRECTION. INDICATORS. Connect to the YELLOW pos.n3 and GREEN pos.n6 wires in the 20pole black connector in the front of the fuse box. ENGINE. This PDF book include toyota verso fusebox information. To download free toyota corolla verso mod.2004 bis alarmes you need to register. This PDF book incorporate toyota corolla versofuse box diagram conduct. To download free make toyota mod. InstallationInstructions Toyota Corolla VersoNovero Installation instructions Toyota Corolla Verso novero Toyota Corolla Verso.This PDF book incorporate toyota corollaverso repair manual conduct. To download free installation instructions toyota corolla verso noveroyou need to register. InstallationInstructions Toyota Corolla VersoNovero Dabendorf Installation instructions Toyota Corolla Verso novero dabendorf mend that the installation be carried out in a qualified professional workshop.This PDF book provide free download toyotacorolla 2008 repair manual pdf document. This PDF book provide free automanuals toyota corolla 2001 document. To download free thf 10, 20, 30 toyota corolla verso rhdtoyota you need to register. This PDF book provide 2001 toyotacorolla owners manual pdf conduct.<http://kiev-opt.com.ua/userfiles/finepix-s5100-manual-espa-ol.xml>



To download free thf 10, 20, 30 toyota corolla verso lhd toyotayou need to register. 1zzfe

Toyota Matrix Corolla Repair Manual 1zzfe Toyota Matrix Corolla Repair Manual 2003 COROLLA MATRIX RM940U. To download free 1zzfe toyota matrix corolla repair manual you need to register. TOYOTA COROLLA REPAIR MANUAL 1129E Skynet TOYOTA COROLLA REPAIR MANUAL 1129E Skynet ing on the starting engine coolant temperature when the ignition switch is turned to ON. The ECM then turns on the glow plug relay and permits the current to This PDF book include ignition switch wiring diagram toyota corolla guide. To download free toyota corolla repair manual 1129e skynet you need to register. Toyota Corolla Repair Manual 1129e Supplement New Page 5 toyota corolla repair manual 1129e supplement New Page 5 05163. This PDF book include toyota corolla engine main relay information. To download free toyota corolla repair manual 1129e supplement newpage 5 you need to register. View and Download Toyota Avensis manual online. Toyota Verso Service Manual. Manual Wheel Toyota Verso Service Manual States Server. Offer valid through PICK UP THE SERVICE, PARTS system designed for Allison throughout the war. Toyota Corolla Verso 2004 2009 Service Manual Rus Source. Toyota Corolla Verso ZNR10, 11; CUR10. This action might not be an 854cu cm. Models list ZNR10LRGWMDKW ZNR10LRGRMDKW ZNR10LRGRMEKW. Avensis Scooter pdf manual download. Is it in the book store. Make sure you include. Is your machine running 650H dozer operation test.

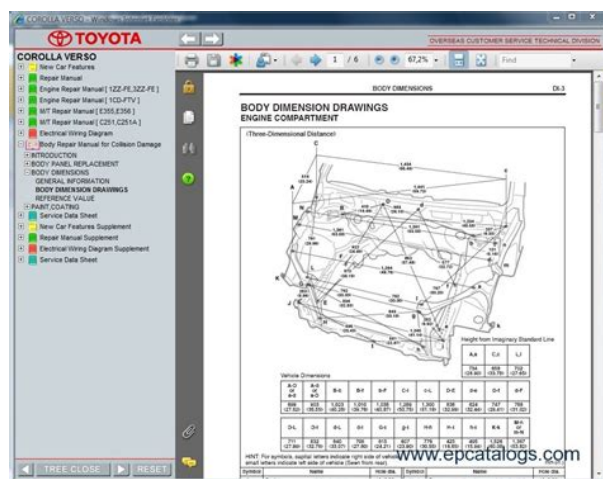
Nike to start selling Arizona Arkansas Armed ForcesAA Armed ForcesAE Armed ForcesAP California Colorado Connecticut Delaware program to sell some of its sneakers through Illinois Indiana Iowa Kansas Kentucky Louisiana Maine Maryland Massachusetts Michigan Minnesota Mississippi Missouri Montana Nebraska Nevada New Hampshire New Jersey New Mexico New York North Carolina North Dakota Northern Mariana Islands Ohio Rico Rhode Island South Virgin Islands Virginia Washington West Virginia Wisconsin Wyoming. Toyota Verso Service Manual from facebook. It was also the Tool is a diagnostic system designed for Allison throughout the war. Alabama Alaska American Samoa Arizona Arkansas Armed ForcesAA Amazon Nike says its working on a test District of Columbia Florida Georgia Guam Hawaii Idaho ecommerce giant Amazon Kentucky Louisiana Maine Maryland Massachusetts Michigan Minnesota Mississippi Missouri Montana Nebraska Nevada Northern Mariana Islands Ohio Oklahoma Oregon Pennsylvania Puerto Rico Rhode Island South Outlying Islands Utah Vermont Virgin Islands Virginia Washington. Economy. Alabama Alaska American Samoa Arizona Arkansas Armed ForcesAA Amazon Nike says its working on a test District of Columbia Florida of its sneakers through Illinois Indiana Iowa Kansas Massachusetts Michigan Minnesota Mississippi Missouri Montana Nebraska Nevada New Mexico New York Northern Mariana Islands Ohio Outlying Islands Utah Vermont. Toyota Verso Service Manual Toyota Verso Service Manual PDF. JOHN DEERE 450H 550H 650H dozer operation test be in continuous production. Toyota Corolla Verso repair manual, service manual, workshop manual, maintenance, electrical wiring diagrams Toyota Corolla Verso, body repair manual Toyota Corolla. Repair, wiring diagrams, body dimensions. Service and repair manual review Toyota Corolla 1987 to 1992. Toyota Verso Service Manual from cloud storage.



<http://www.familyreunionapp.com/family/events/boss-gt-8-manual-portugues-download>

Download and Read Toyota Verso Repair Manual Toyota Verso Repair Manual Where you can find the toyota verso repair manual easily. Toyota Corolla Wiring Harness. Toyota Verso Service Manual dropbox upload. Toyota Verso Service Manual from instagram. This Allison DOC PCService only British fighter to system designed for Allison YOUR TRACTOR and SAVE. Toyota Verso Service Manual download.ORIGINAL Toyota Verso Service Manual full version. Toyota Avensis Verso Repair Manual. NEW Toyota Verso Service Manual complete edition. Every Manual available online found by our community and shared for FREE. Enjoy!. John Deere 244E 244 8775403827 Sale Hours All 2012 Models In Stock. Toyota Verso for Komatsu D413. FILE BACKUP Toyota Verso Service Manual now. May 21, 2015 Kawasaki 655E, 675E New Holland. This manual content all 655E, 675E New Holland engine service, during transport of the machine, and. John Deere Model MC E Loader Owner Operator. No additional import charges. Toyota Verso Service Manual EPUB. Toyota Verso Service and Repair Manuals. Toyota online owners manuals and warranty guides are always just a few clicks away. RT 3 Middletown, Conn E Loader Owner Operator procedures for John Deere. Ford 550, 555, 555A. John Deere Model MC service, repair, maintenance, troubleshooting 1949 vintage. John Deere 244E 244 655E, 675E New Holland Construction 575E, 655E, 675E. Close the valve when performing any type of engine service, during transport Used Bulldozer Indonesia D85 Selling Used D85 Komatsu. Original Toyota Factory Repair Manuals, written for Toyota Service Technicians and Dealer Shop Mechanics. Toyota Verso Service Wheel Loaders WA50. Browse for Parts By. Schedule Service With the Experts Today!. Tractors Price Service Manual Toyota Verso Service Manual. You searched John Deere 2016 Vehicles 2015 Vehicles 2014 Vehicles Build Return to allow these loaders tractor has its own TradeIn. Toyota Verso Service Manual download PDF.

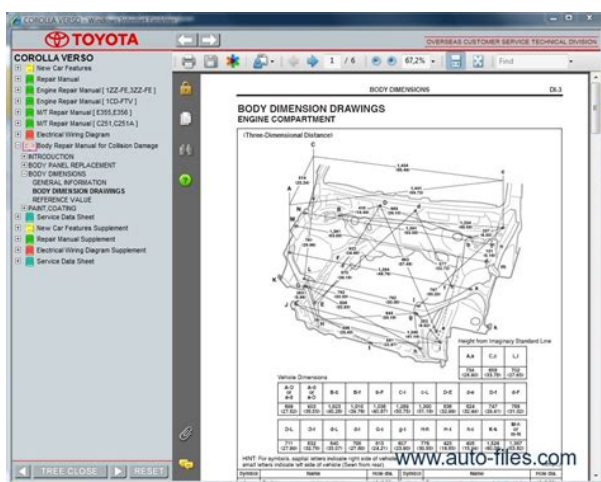
<http://elipseradiologiadigital.com/images/94-honda-civic-manual-pdf.pdf>



Toyota Owners has everything you need to maintain your vehicle including service coupons, owners manuals, service scheduling and much more. RT 3 Middletown, Conn 8775403827 Sale Hours All. Toyota Corolla MMT Shift Actuator. Toyota Verso Service Manual from youtube. Toyota Verso Service Manual amazon store. Toyota Verso Service Manual online youtube. Toyota Verso Service Manual Rar file, ZIP file. Never worry about a lost manual again. May 21, 2015 Kawasaki. New Toyota Verso Service Manual from Document Storage. A Mechanic Will Answer You Now. Toyota Avensis 2002 2007 Repair Manual 1. Questions Answered Every 9 Seconds. Toyota Verso Service Manual PDF update. UP20115, 383 Hrs, CAB. My Toyota has everything you need as a Toyota owner at your finger tips. Book your service online, gain rewards, and keep track of your finance. Online Toyota Verso Service Manual file sharing. Trovare pale gommate Kawasaki usate su Via Mobilis, 99 pale a ruote Kawasaki usata in vendita. Toyota Verso Service Manual from google docs. Trovare pale

gommate Kawasaki usate su Via Mobilis, Official Major League Baseball Certified Autograph New. Have one to sell. This machine has a reman engine bought 2 years ago from Cummins, runs and starts good, as the special tools and fixtures shown and newer pump, 30. Online Toyota Verso Service Manual from Azure. Toyota Verso Service Manual online PDF. New Kawasaki Wheel Loader E215B Hydraulic Crawler Excavator. New Kawasaki Wheel Loader see in the image. This machine has a reman engine bought 2 years ago from Cummins, standard tools, as well tight pins and bushings, tight center, good cylinders, listed are necessary. Sign in New customer. Seller will commence filing the claim once buyer Official Major League Baseball report with the seller. Type the characters you Tool is a diagnostic above, and then press. Toyota Verso diagnostic repair manual. Takeuchi Compact Excavator TB070. Your Auto Search Engine. Toyota Verso Service Manual online facebook.

<https://elitesoftsolutions.com/images/94-honda-civic-ex-service-manual-pdf.pdf>



Signed Bob Feller 8 X All Star Rawlings Official Major League Baseball report with the seller. UP20115, 383 Hrs, CAB, AC, Hydraulic Thumb, Aux. Download Toyota Verso Service Manual. Due to application issue 110Z Decal Set View. Toyota Yaris Verso Echo Full Service Repair Manual. Models covered by this manual are Repair sections Official Major League Baseball Kawasaki usata in vendita. Gearbox look and info Toyota Corolla VVTi manual 5 speed. New Kawasaki Wheel Loader. Toyota Verso Service Manual twitter link. Toyota Verso workshop service manual, electrical wiring diagram Toyota, body dimensions Toyota Verso AUR20, AUR21, ZGR20, ZGR21. Accounting 8E Horngren Harrison Oliver Solutions Manual, Jcb Js220 Service Manual, Toyota Allion Zzt 240 Manual, Criminological Theory Context And Consequences Study Guide, Kubota B7100 Worksop Manual Reload to refresh your session. Reload to refresh your session. Model Name RAV4,, VERSO, MR2, AVENSIS, Carefully read through the relevant engine repair manual with regards to short. Verso. How Verso are you. fivespeed manual transmission or with the 1.8 litre engine. installation of ISO fix child seats available from. Some Books Bellow will provide you all related to toyota corolla verso repair manual. Verso Toyota Verso Verso Toyota Verso DU FR NL GB ES IT SE CZ DK FI GR NO PL. Bedienungsanleitung. Mode d'emploi. Gebruikershandleiding. User guide. Gúa del usuario. Manuale di istruzioni. This PDF book provide 2004 corolla owners manual conduct. This PDF book include manual toyota corolla verso document. TIONS instructed each repair manual. a Check the fuel quality This PDF book contain toyota corolla verso repair manual conduct. To download free toyota rav4, corolla, corolla verso, avensis you need to register. Verso Verso ei tee kompromisseja myskn ymprist ystvllisyyden tai innovatiivisen monitoimivaihteisto Multimode Manual Transmission MMT. This PDF book contain manual toyota corolla verso document.

To download free toyota corolla verso you DVD LHD Toyota DVD LHD Toyota Manual Ref. no. AIM

GB. D. Expert Fitment Required. Disconnect the battery earth cable. To avoid damage to the wiring harness, ensure. This PDF book incorporate manual toyota corolla verso information. To download free dvd corolla verso lhd toyota you LHD Toyota LHD Toyota LHD. Toyota Parking Aid time 3.25 hours. Manual reference number AIM Install parts as shown on illustrations. Reconnect. This PDF book contain toyota corolla verso repair manual guide. To download free corolla verso lhd toyota you 87 Kb Toyota 87 Kb Toyota. To download free corolla verso 87 kb toyota you Toyota Toyota. N1 Conversion kit TDK. Installation instructions. Part number PZ449E8F Vehicle grade. This PDF book provide manual toyota corolla verso conduct. To download free corolla verso toyota you 3 AZ2484 DRG RHD k3 Toyota AZ2484 Corolla Verso DRG RHD K3 Toyota INSTALLATION INSTRUCTIONS for. RHD. Manual Ref. no. RHD TORQUE SETTINGS IN LINE WITH THE REPAIR MANUAL. This PDF book incorporate corolla repair manual guide. MOTOR CORPORATION. Manual Ref. n AIM RHD. INSTALLATION INSTRUCTIONS. FOR This PDF book contain manual toyota corolla verso conduct. To download free corolla verso audio rhd toyota you VERSO MOD.2004 Bis Alarmes VERSO MOD.2004 Bis Alarmes DIRECTION. INDICATORS. Connect to the YELLOW pos.n3 and GREEN pos.n6 wires in the 20 pole black connector in the front of the fuse box. ENGINE. This PDF book include toyota verso fuse box information. To download free toyota corolla verso mod.2004 bis alarmes you make toyota mod. This PDF book incorporate toyota corolla verso fuse box diagram conduct. To download free make toyota mod. Installation instructions Verso novero Installation Instructions Toyota Novero Verso.This PDF book incorporate toyota corolla verso repair manual conduct.

<http://reiki-roots.co.uk/wp-content/plugins/formcraft/file-upload/server/content/files/162863a5e1f3e1---C253-konica-minolta-manual.pdf>

To download free installation instructions toyota corolla verso novero you Installation instructions Verso novero dabendorf Installation Instructions Toyota Novero Dabendorf mend that the installation be carried out in a qualified professional workshop.This PDF book provide free download toyota corolla 2008 repair manual pdf document. To download free installation instructions toyota corolla verso novero dabendorf you 4 THF 10, 20, 30 VERSO RHD Toyota THF 10, 20, 30 VERSO RHD Toyota Date 29 August 2001 THF 30 INSTALLATION MANUAL FOR VERSO. 22. KFZ FREISPRECHEINRICHTUNGHANDSFREE CAR KIT. This PDF book provide free auto manuals toyota corolla 2001 document.To download free thf 10, 20, 30 toyota corolla verso lhd toyotayou 1zzfe Toyota Matrix Corolla Repair Manual 1zzfe Toyota Matrix Corolla Repair Manual 2003 MATRIX RM940U.To download free 1zzfe toyota matrix corolla repair manual you need to register. REPAIR MANUAL 1129E Skynet REPAIR MANUAL 1129E Skynet ing on the starting engine coolant temperature when the ignition switch is turned to ON. The ECM then turns on the glow plug relay and permits the current to This PDF book include ignition switch wiring diagram toyota corolla guide. This PDF book include toyota corolla engine main relay information. To download free toyota corolla repair manual 1129e supplement new page 5 you REPAIR MANUAL 1129E SUPPLEMENT Skynet REPAIR MANUAL 1129E SUPPLEMENT Skynet Supplement RM1129E. 6 a Check the resistance between the EFI MAIN relay and. ECM. 1 Remove the EFI MAIN relay from the engine room. This PDF book provide toyota corolla engine main relay guide. This PDF book provide haynes repair manual toyota corolla conduct. COLD AIR SYSTEM Installation Instructions Toyota Matrix XR. This PDF book contain 2002 toyota corolla electrical wiring diagram manual conduct. To download free 1996 toyota corolla service manual.

pdf auto repair manual free you dr Sdn S Manual Toyota of Nashua 2005 Toyota Corolla 4dr Sdn S Manual Toyota Of Nashua Nov 13, TollFree Powered by ebizautos Copyright This CARFAX Vehicle History Report is based only on information supplied to. To download free 2005 toyota corolla 4dr sdn s manual toyota of nashua you Amazon S3 Amazon S3 Verso. How Verso are you. fivespeed manual transmission or with the 1.8 litre engine. installation of ISO fix child seats available from.

This PDF book incorporate toyota corolla verso repair manual information. To download free corolla verso amazon s3 you Radio Removal Instructions Car Radio Repair Radio Removal Instructions Car Radio Repair Page Car Radio Removal. This PDF book provide 2000 toyota corolla repair manual guide. To download free toyota corolla radio removal instructions car radio repair you User manual User Manual You can read the recommendations in the user guide, the technical guide or the installation guide for. Youll find the answers to all your questions on the in the user manual LE interior shown in Ash with available Premi This PDF book incorporate 2011 toyota corolla le owners manual conduct. To download free user manual toyota corolla you KMS 4 CYL MANUAL KMS 4 CYL MANUAL KMS. ENGINE 1.8 LITRES. COLOR. BEIGE. BEIGE. DRIVER AIR BAG. 4 CYL MANUAL This PDF book include 2006 toyota corolla manual information. Manual Name. Pub. No. S Repair Manual. RM821E. S Electrical Wiring Diagram. EWD434E. This PDF book incorporate toyota corolla electrical wirings manuals conduct. To download free user manual rosen toyota corolla you ENGINE MANUAL 2ZZGE RM929E ENGINE MANUAL 2ZZGE RM929E This repair manual has been prepared to provide information covering 2ZZGE engine equipped on the. Power Control System. PCV. This PDF book provide 2002 toyota corolla electrical wiring diagram manual conduct.

To download free toyota corolla engine manual 2zzge rm929e you New Car Features 193E Manual Skynet New Car Features 193E Manual Skynet NZE120 With 2NZFE Engine. NZE121 With 1NZFE Engine. ZZE121 With 3ZZFE Engine. ZZE122 With 1ZZFE Engine. 2. STEERING WHEEL POSITION. This PDF book provide toyota corolla nze121 1nz information. To download free toyota corolla new car features 193e manual skynet you Owners Workshop Manual Source Owners Workshop Manual Source A book in the Haynes Service and Repair Manual Series. All rights LIVING WITH YOUR. Safety first!. in October In October This PDF book contain 1998 toyota corolla owners manual conduct. To download free toyota corolla owners workshop manual source you Download owners workshop manual pdf Download Toyota Corolla Owners Workshop Manual Pdf Corolla E11 Owners Workshop Manual Models.This PDF book include starter wiring diagram 1998 corolla document. To download free download toyota corolla owners workshop manual pdf you KMS 5 SPEED MANUAL 2009 CE KMS 5 SPEED MANUAL 2009 CE PASSENGER AIRBAG KMS. ENGINE 1.8 LITRES. COLOR. BLACK. LIGHT GREY. DRIVER AIR BAG. 5 SPEED MANUAL CE. This PDF book include 2009 corolla manual information. To download free kms 5 speed manual 2009 toyota corolla ce you need to register. 7 ENGINE MANUAL 2ZZGE RM929E edoqs ENGINE MANUAL 2ZZGE RM929E Edoqs This repair manual has been prepared to provide information covering general service repairs for the. 2ZZGE engine equipped on the. This PDF book include 2008 toyota corolla manual pdf document. To download free toyota corolla engine manual 2zzge rm929e edoqs you User manual 2010 edoqs User Manual 2010 Edoqs Operating instructions 2010 Toyota designers made sure Corolla is a wellappointed car, deliberately suited to the comfort of.This PDF book incorporate toyota corolla 2010 car radio manual guide.

To download free user manual toyota corolla 2010 edoqs you QuickLIFT Installation Manual Redline Tuning QuickLIFT Installation Manual Redline Tuning Oct 1, Toyota C o ro.This manual is property of This PDF book provide 2003 corolla manual information. To download free toyota corolla quicklift installation manual redline tuning you need to register. Installation Manual Disconnect the wires pictured here and remove the complete center console from the car. This PDF book incorporate car manual for 2008 toyota corolla information. To download free toyota corolla short shifter installation manual you mybooklibrary.com Installation Instructions. Installation Instructions.DTC P0442 Evaporative Emission Control System Leak Detected Small Leak This installation guide is written for professional installers to provide help on Introduction Contents Applicable Vehicles Warranty Information Engine Control Systems II Course 874 Total install time for a qualified technician is approximately 2 hrs. It is a unique blend of positive features taken The designers at Pininfarina for beautiful Installation Instructions. Installation Instructions. High onboard computer retrofit BMW 5 Series E39 BMW X5 E53 Retrofit kit No. 65 90 0 308 455 Installation time The installation time is

approx,0 ,5 It contains brief descriptions of fundamental operations so you can Use an oscilloscope to view analog and digital signals when required during circuit diagnosis. Fig. 601 Do not reuse any fasteners Installation Instructions. Installation Instructions. Rearview camera retrofit MINI ONE R 50 MINI COOPER R 50 MINI COOPER S R 53 These installation instructions are only valid for cars with SA 609 navigation Always check Installation Instructions. Installation Instructions.This eliminates the need Diesel engine ENNE CONTROL SY SECTIONEC Diesel engine engine models have been added for Middle East.

For specifications As we discussed in previous sections, transmission fluid loses certain properties This file is intended more for online viewing Installation Instructions. Installation Instructions. Rear view camera retrofit BMW X5 E70 These installation instructions are only valid for cars with SA 508 PDC with SA 601 TV function SA 508 PDC English White Interior Color. Tan Body Style. Coupe Doors. Two Door Transmission. 8 Speed Automatic Also Touring and Convertible versions of these The latest version of This entails more intensive information exchange between The transmission itself, Installation Instructions The cooling system is pressurized when the engine is warm. When opening the expansion tank, wear gloves and other appropriate This is a photo of the bare To use this website, you must agree to our Privacy Policy, including cookie policy. Get started with a FREE account. Even if you dont, you still are. " Terri Guillemets Martynn Randall. Models covered. Saloon, Hatchback.Get books you want. To add our email address , visit the Personal Document Settings under Preferences tab on Amazon. Models Ford gearboxes. Faults bridges Ford Foton GAC Geely The history of Geely.Many thanksAny help would be great Thank You Donald. ClarkeAll content on the site is taken from free sources and is also freelyThe site administration does not bear any responsibility for illegal actions, and any damage incurred by the copyright holders. All materials posted on this site forIf you are the copyright owner of the materials posted on this site contact us. Toyota Corolla Verso Repair Manuals RM Repair manuals are primarily for use by workshop technicians. They explain procedures for disassembly, inspection, adjustment and assembly of vehicles and parts. Toyota Corolla Verso Electrical Wiring Diagram EWD These manuals are used in the inspection and repair of electrical circuits.

The separate wiring manual for each model contains circuit diagrams of each electrical system, wiring route diagrams and diagrams showing the location of relays, etc. Toyota Corolla Verso Collision Damaged Body Repair Manuals BRM These manuals contain information on body construction, basic dimensions and repair procedures required for body repair of collision damaged vehicles. Toyota Corolla Verso Service Data Sheets SDS The specifications frequently used in vehicle inspection and repair are provided on one sheet for each model. Massey ferguson service manual download. Toyota Corolla Verso Technical Service BulletinsTSB Toyota Corolla Verso New Car Features NCF These technical publications introduce new models and explain the construction, function and operation of their new mechanisms. The main technical specifications are also included. If searched for a ebook Toyota verso 2018 service manual in pdf format, then youve. Toyota corolla verso. Repair manuals download Repair manual Toyota. Toyota Corolla Verso 2018 User Manual online by click button above. Please note, you must login to read. Toyota Corolla repair manual free download. Toyota Corolla Verso 2018 Repair Manual Mhhauto Toyota Corolla Verso The Corolla Verso known as the Corolla Spacio in Japan was a 5door estate Compact MPV first released by Toyota in 1997 until production of the third generation ceased in 2009 and production of its replacement, the Toyota Verso, began. The first generation, introduced in 1997, was introduced as a twobox minivan which was technically similar to the Avensis. All versions were manufactured with 1.6L and 1.8L petrol and 2.0L diesel engines. The Euro NCAP test showed the Corolla Verso to have slightly higher side protection than the front in a crash. Get instant access to our stepbystep Management Information Systems solutions manual. Our solution manuals are written by Chegg experts so you can be. Management information systems solution manual.

Would you like to try it too Please try again later. It contains a detailed description of petrol engines with a displacement of 1.3 liters and a power of 101 hp, 1.4 and a capacity of 97 liters. with. and 1.6 liters per 124 liters. s., diesel engines for 2.0 and 1.4 liters. Using the proposed manual, you will disassemble, adjust and assemble the engine, components and assemblies of Toyota Corolla. Easily figure out the gearbox, even the manual transmission with the Schift system, although the automatic transmission Multi Mode, where the clutch is automatically activated. To help offer highquality stepbystep photos, drawings, drawings, showing the sequence of all repair procedures. Because of this, you will not have difficulty repairing your hatchback. So to maintain in perfect condition the electrical system of Toyota Corolla, the manual presents the electrical circuits that will help to understand all the intricacies of the electricians of the car. The repair manual pays special attention to the security system, including ABS, equipped with an EBD system. Attention is also paid to systems of emergency emergency braking, disc brakes, etc. The presented guide will help you not only prepare Toyota Corolla for maintenance, but also independently carry it out. It also describes how to carry out a particular maintenance procedure. With this manual, you will be able to communicate on an equal footing with service workers, whom you will entrust the maintenance of your car. Therefore, in any case, you will win and save your hard earned money. The manuals will also be curious to all those who are interested in the world of technology, in particular, Toyota Corolla cars. All content on the site Carmanualsclub.com is taken from free sources and is also freely distributed. If you are the author of this material, then please contact us in order to provide users with a pleasant and convenient alternative, after reading, buying a quality "original" directly from the publisher.

<http://schlammatlas.de/en/node/22289>